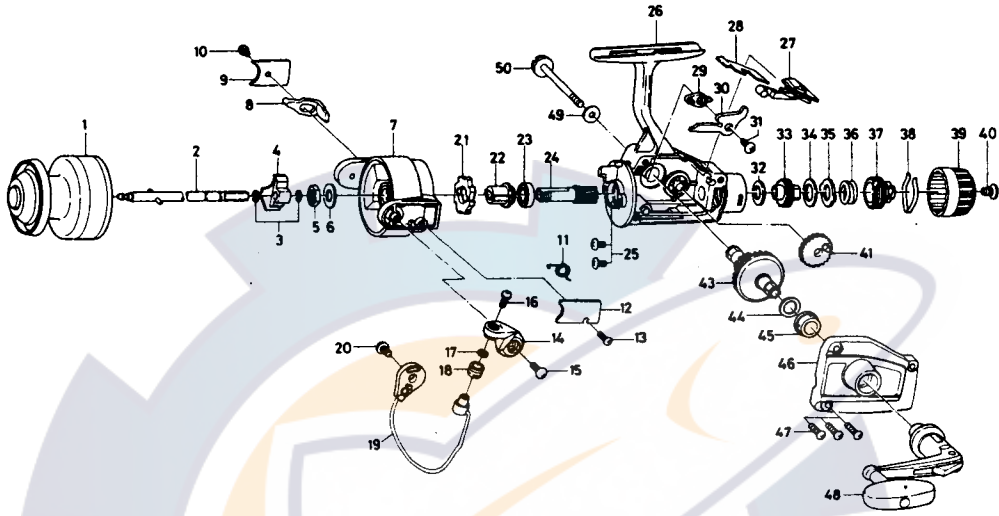


SPINNING REEL **AB1650/2050**



Key No.	Parts No.	Parts Name	Price Each	Key No.	Parts No.	Parts Name	Price Each
1	B78-4605	Spool	7.00	30	B76-8601	Anti-reverse pawl	0.40
2	B77-0801	Main shaft	1.00	31	351-6102	Anti-reverse pawl screw	0.50
3	320-8202	Oscillating slider retainer	0.35	32	B46-9504	Drag washer A	0.40
4	B77-0701	Oscillating slider	0.85	33	B76-9801	Click gear	0.50
5	341-9201	Rotor nut	0.50	34	B78-6601	Drag washer B	0.50
6	B27-5401	Rotor washer	0.35	35	373-3603	Eared washer	0.40
7	B77-3604	Rotor	5.95	36	B91-3701	Drag coil spring	0.40
8	B77-3701	Bail trip lever	0.60	37	B77-0003	Drag screw	1.15
9	B76-9702	Bail trip cover	0.35	38	B77-0301	Drag washer spring	0.40
10	352-0402	Bail trip cover screw	0.35	39	B77-0401	Drag knob	1.00
11	B18-7702	Bail spring	0.50	40	352-1105	Drag knob spring screw	0.70
12	B77-2201	Bail spring cover	0.35	41	B74-3701	Oscillating gear	0.55
13	352-0402	Bail spring cover screw	0.35	43	B82-2701	Drive gear	1.30
14	B76-0201	Bail arm	0.75	44	373-7800	Drive gear washer	0.35
15	351-6102	Bail arm screw	0.50	45	B12-9002	Bearing	0.35
16	B67-9301	Line roller screw	0.35	46	C00-0901	Side cover	3.25
17	B55-4301	Line roller washer	0.35	47	351-5904	Side cover screw	0.50
18	250-3921	Line roller	0.80	48	B93-4201	Handle	7.20
19	B77-3801	Bail	1.85	49	372-3501	Handle lock washer	0.40
20	351-6102	Bail trip cam screw	0.50	50	B11-5803	Handle lock screw	0.50
21	B77-2101	Anti-reverse ratchet	1.25	AB2050 special parts			
22	B93-4001	Pinion spacer	0.60	1	B78-4405	Spool	7.50
23	637-5701	Ball bearing	5.60	2	B77-2004	Rotor	6.00
24	B82-6501	Pinion gear	3.20	8	B76-9601	Bail trip lever	0.75
25	351-7703	Ball bearing screw	0.40	19	B77-2301	Bail	1.85
26	C00-0801	Body	6.00	26	C00-0802	Body	6.10
27	B84-8901	Anti-reverse lever	0.60	46	C00-0902	Side cover	3.25
28	B79-0101	Anti-reverse cam spring	0.50	48	B93-4501	Handle	7.20
29	B76-8501	Anti-reverse pawl plate	0.60				